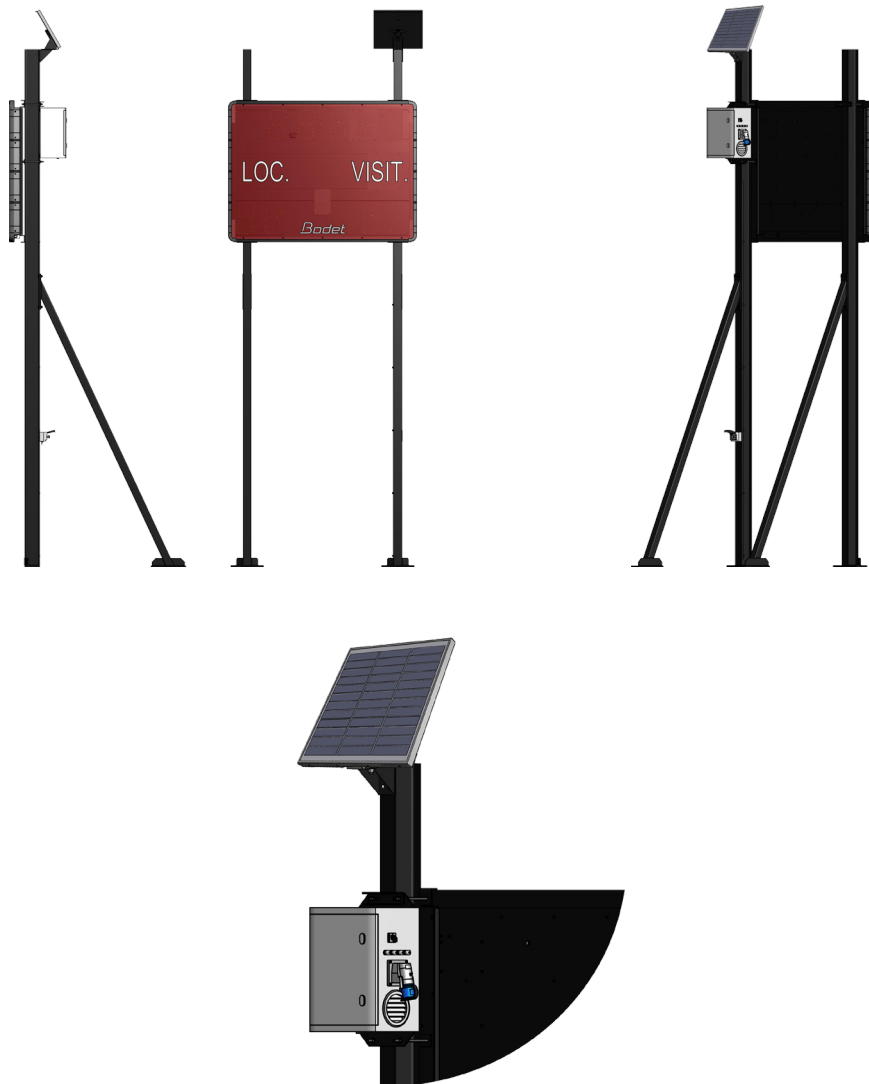


# Solar Power Supply

## Solar Power Supply for Outdoor Scoreboards BT2025.



### Content of the solar power supply pack

- The pack is made of:
  - The solar panel.
  - The control cabinet (includes the battery and the mains power plug).
  - The key switch (the key is supplied).
  - The fasteners kit.

### Installation

- The kit mounts on the scoreboard support post.
- The modular solar panel must be oriented towards the sun.

See product page on  
>> [www.bodet-sport.com](http://www.bodet-sport.com) <<



# Solar Power Supply

## General features

- Electrical cabinet separated from the scoreboard. No modification of the existing scoreboard casing.
- The solar panel (60° vertical tilt) can be oriented horizontally.
- Use for BT2025 SCORE, CLUB and CLASSIC scoreboards.

## Electrical features

- Eight-hour autonomy under operation (luminosity level 3).
- 4-day recharging time (overcast sky, winter time) after two 4-hour operating periods.
- User programmable operating time (factory setting: 5 hours).
- Powering on by key switch.

## Mechanical features

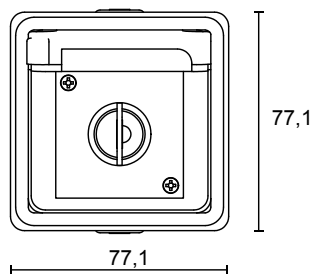
- Temperature rating:
  - While operating: -10°C à +45°C.
  - Stopped: -30°C à +55°C.
- Solar kit protection rating: IP44.
- Weight: 24kg.

## Reference

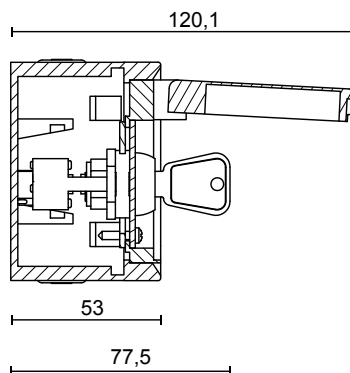
- 915 134..... Solar power supply

## Dimensions in mm

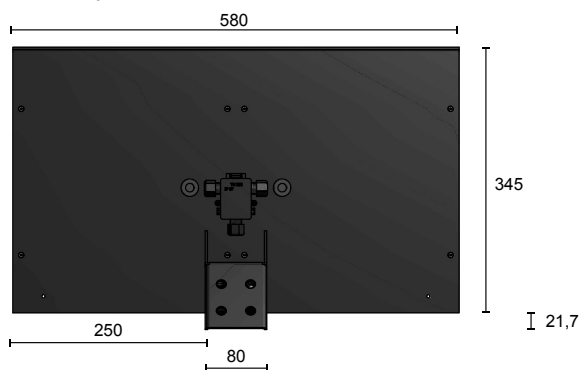
Key switch front view:



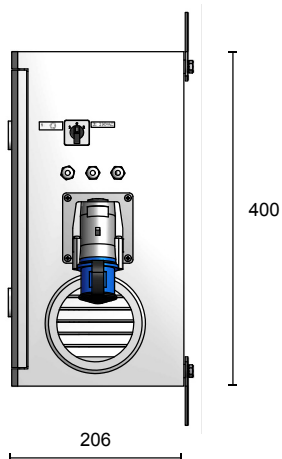
Key switch side view:



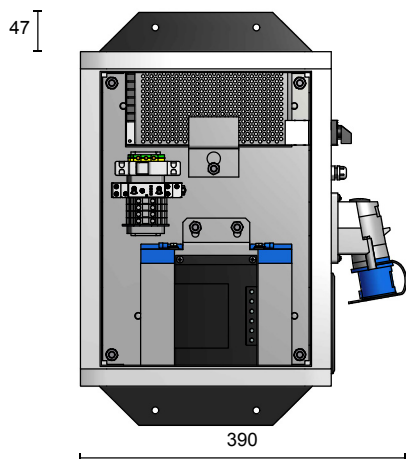
Solar panel rear view:



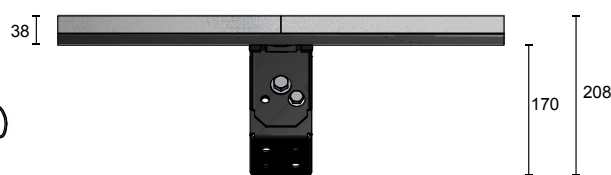
Cabinet side view:



Cabinet front view:



Solar panel bottom view:



Réf.: 642A71C 05/16